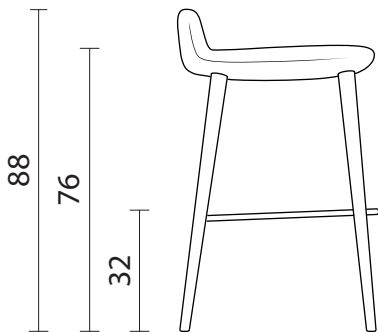
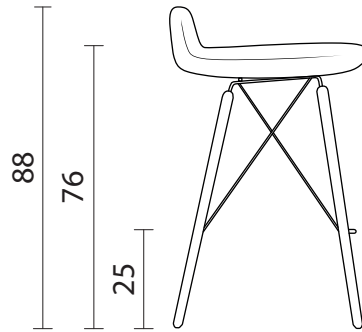


Compatible bases

(SB-MAN-SG0)



(SB-TRP-SG0)



(SB-VEN-SG0)

