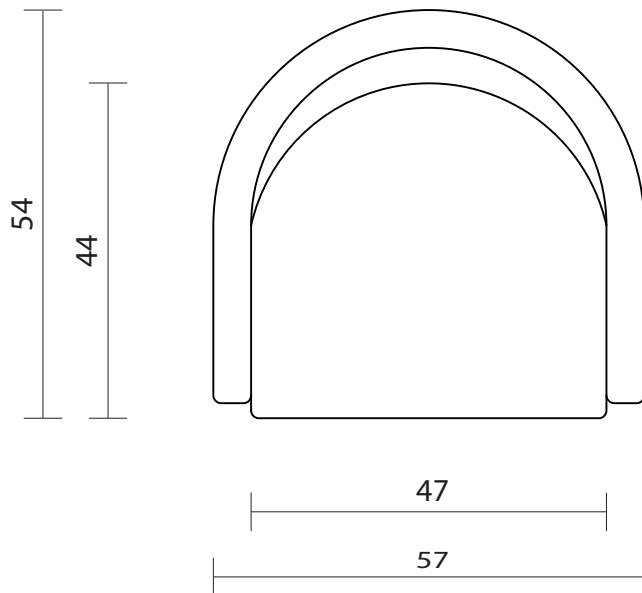
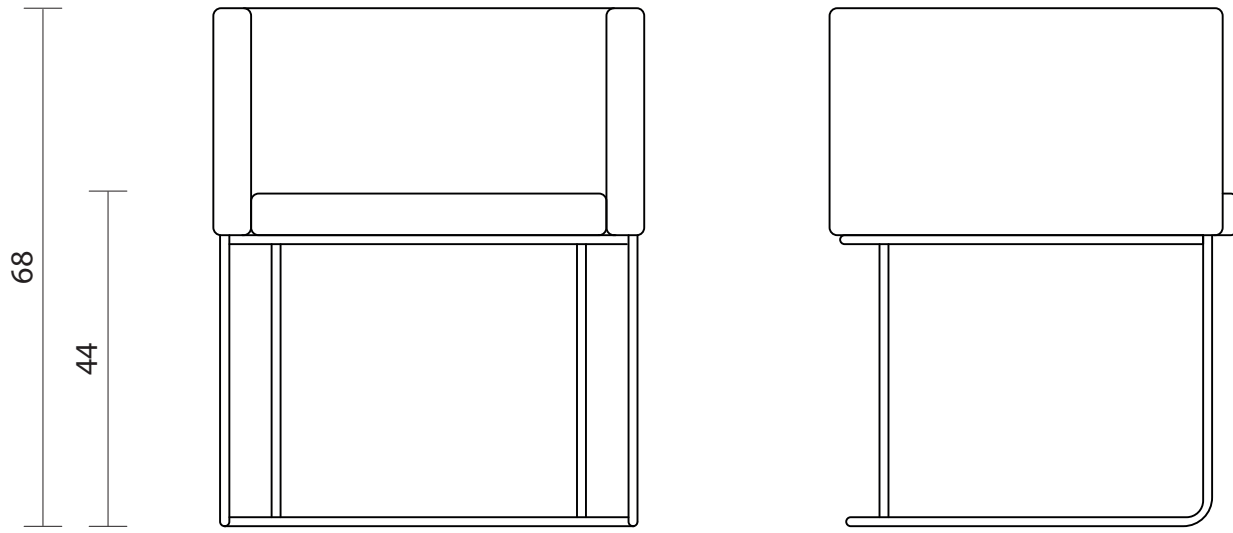


ROSY - Seat and backrest (FB-740-000) + Base (SB-742-N00)



Orthographic proj. (FB-740-000)	Scale 1:10
Orthographic proj. (FB-740-000)/(SB-742-N00)	Scale 1:10
Sheet A4 n. 1/1	10/05/2019
Unit of measure: cm	CS srl