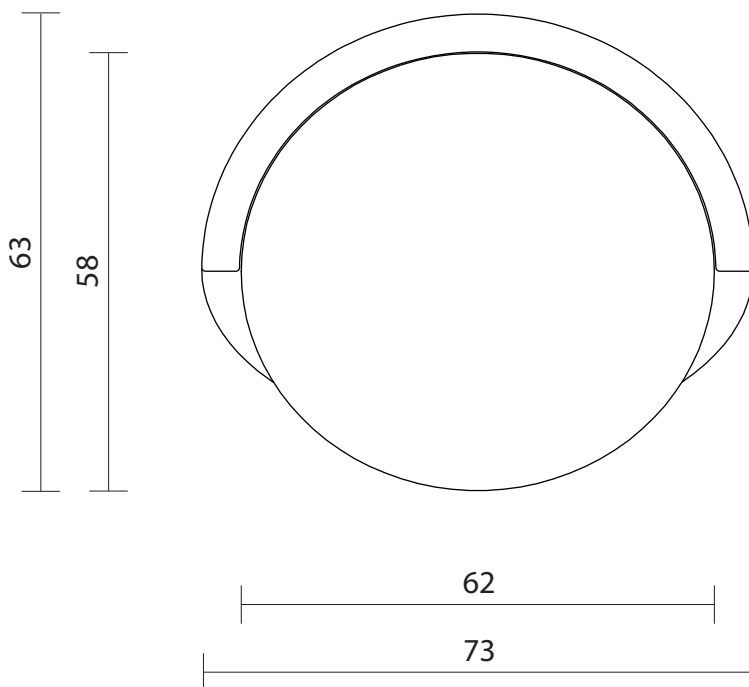
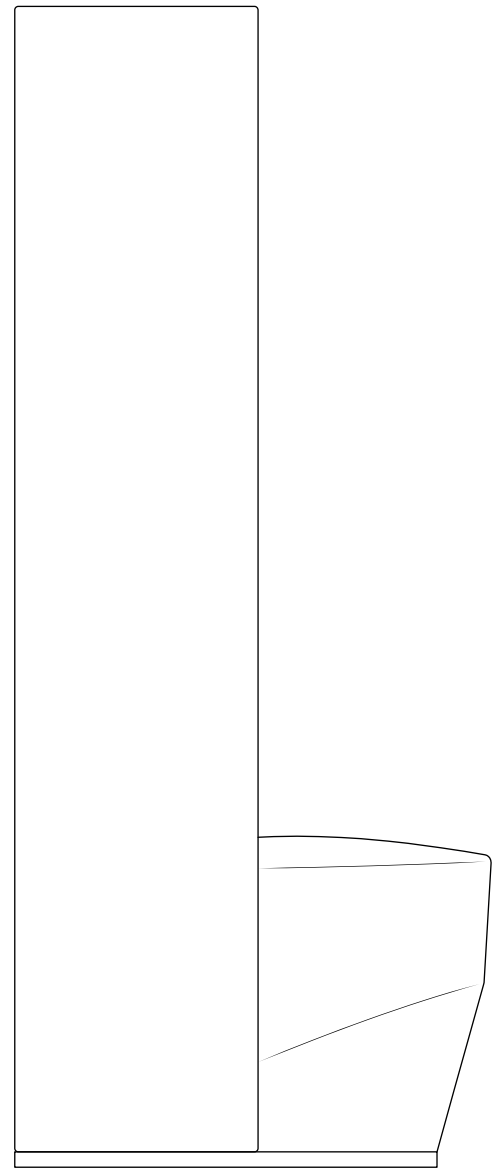
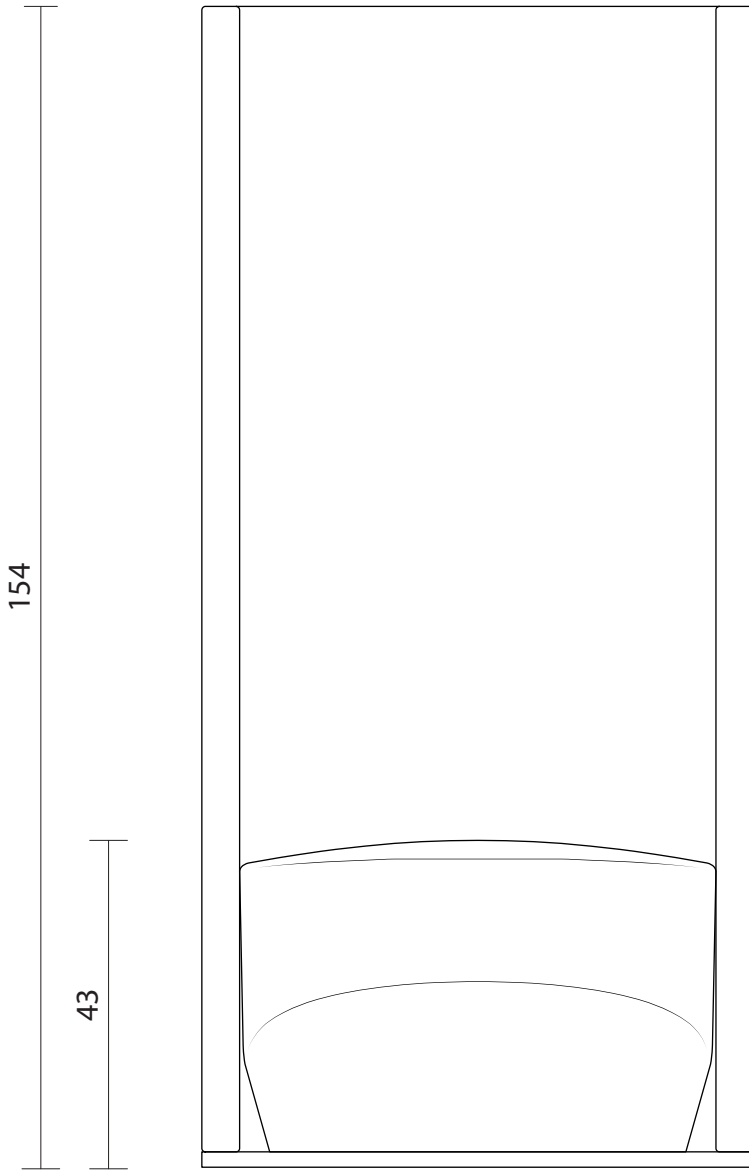



* cannot be assembled with 'Selen' backrest



Orthographic proj. (PF-SEL-000) Scale 1:10		
	Sheet A4 n. 1/2 Unit of measure : cm	10/05/2019 CS srl



Orthographic proj. (FD-SEL-100) Scale 1:10		
	Sheet A4 n. 2/2 Unit of measure: cm	10/05/2019 CS srl