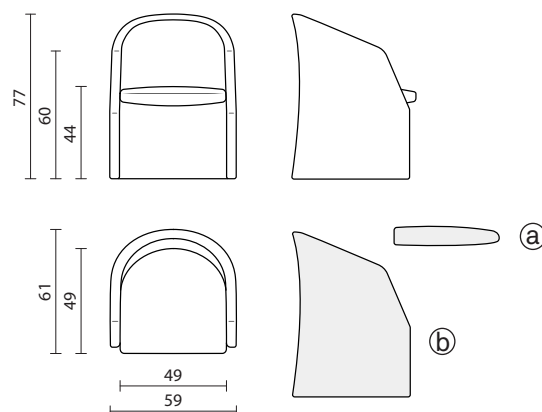


760

Armchair



a: seat
b: backrest

INFO AND MEASURES

Product code:	PL-760-000 (a: FA-760-000) (b: FB-760-000)
Net weight:	11.5 kg
Required fabric:	220x140 cm

PADDING

Seat (a) and backrest (b) in flexible polyurethane made by casting in resin or aluminum molds.

- Density 60-70 kg/mc
- Fireproof material according to Italian class 1IM regulation
- Alternatively, California Technical Bulletin 117:2013 and English BS 5852-2-1982 on request

INTERNAL STRUCTURE

Backrest (b): a metal frame is moulded in cold polyurethane foam.

The padding has, where necessary, wooden or plastic stripes for taping the fabric.

PACKAGING

The product is packed in cardboard boxes

- Box measures: 73x66x81 cm
- Product net weight: 11.5 kg
- Box weight: 4 kg
- Pieces per box: 1
- Gross weight (products+box): 15.5 kg
- Boxes per pallet 80x120: 6 (2.5 m³)

BASES E ACCESSORIES



8CPI0101
M10 (x10 pz)