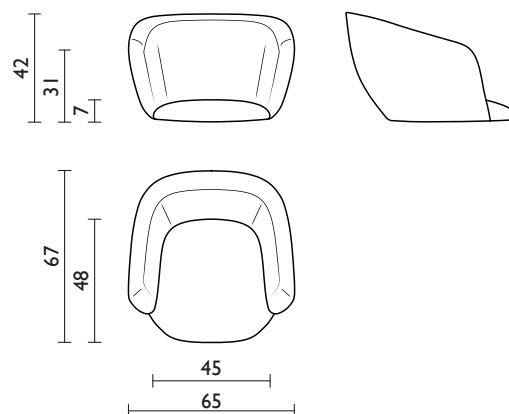


# BONN

## Little armchair



### INFO AND MEASURES

Product code:	FB-BNN-000
Hole centres:	140x140 mm / 150x200 mm
Net weight:	7.5 kg
Required fabric:	170x140 cm

### PADDING

Shell in flexible polyurethane made by casting in resin or aluminum molds.

- Density 60-70 kg/mc
- Fireproof material according to Italian class 1IM regulation
- Alternatively, California Technical Bulletin 117:2013 and English BS 5852-2-1982 on request

### INTERNAL STRUCTURE

Shell: a metal frame is moulded in cold polyurethane foam. The padding has, where necessary, wooden or plastic stripes for stapling the fabric.

### PACKAGING

The product is packed in cardboard boxes

- Box measures: 78x60x55 cm
- Product net weight: 7.5 kg
- Box weight: 2 kg
- Pieces per box: 1
- Gross weight (products+box): 9.5 kg
- Boxes per pallet 80x120: 8 (2.3 m<sup>3</sup>)

### BASES E ACCESSORIES



TF-BNN01



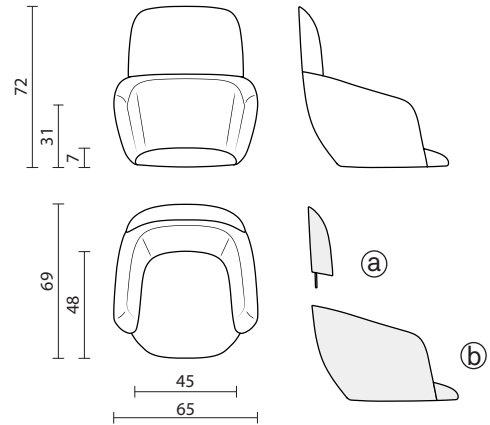
SB-VEN-N00



SB-680-N00

# BONN

## Little armchair with backrest



a: backrest  
b: shell

### INFO AND MEASURES

Product code:	FB-BNN-100
Hole centres:	140x140 mm / 150x200 mm
Net weight:	9.6 kg
Required fabric:	255x140 cm

### PADDING

Shell (b) and backrest (a) in flexible polyurethane made by casting in resin or aluminum molds.

- Density 60-70 kg/mc
- Fireproof material according to Italian class 1IM regulation
- Alternatively, California Technical Bulletin 117:2013 and English BS 5852-2-1982 on request

### INTERNAL STRUCTURE

Shell (b) and backrest (a): a metal frame is moulded in cold polyurethane foam.

The padding has, where necessary, wooden or plastic stripes for stapling the fabric.

### PACKAGING

The product is packed in cardboard boxes

- Box measures: 78x60x55 cm
- Product net weight: 9.6 kg
- Box weight: 2 kg
- Pieces per box: 1
- Gross weight (products+box): 11.6 kg
- Boxes per pallet 80x120: 8 (2.3 m<sup>3</sup>)

### BASES E ACCESSORIES



TF-BNN01



SB-VEN-N00



SB-680-N00