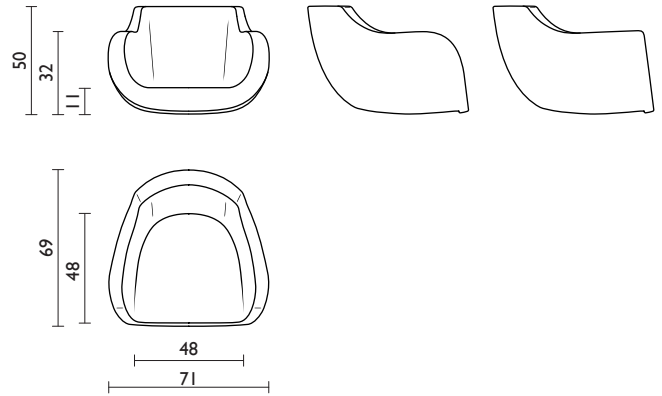


# BOSTON

## Low-back armchair



### INFO AND MEASURES

Product code:	FB-BST-BC (rounded arm rest) FB-BST-BS (square arm rest)
Hole centres:	140x140 mm / 180x180 mm
Net weight:	9.8 kg
Required fabric:	190x140 cm

### PADDING

Shell in flexible polyurethane made by casting in resin or aluminum molds.

- Density 60-70 kg/mc
- Fireproof material according to Italian class 1IM regulation
- Alternatively, California Technical Bulletin 117:2013 and English BS 5852-2-1982 on request

### INTERNAL STRUCTURE

Shell: a metal frame is moulded in cold polyurethan foam. The padding has, where necessary, wooden or plastic stripes for stapling the fabric.

### PACKAGING

The product is packed in cardboard boxes

- Box measures: 73x66x81 cm
- Product net weight: 9.8 kg
- Box weight: 4 kg
- Pieces per box: 1
- Gross weight (products+box): 13.8 kg
- Boxes per pallet 80x120: 6 (2.5 m<sup>3</sup>)

### BASES E ACCESSORIES



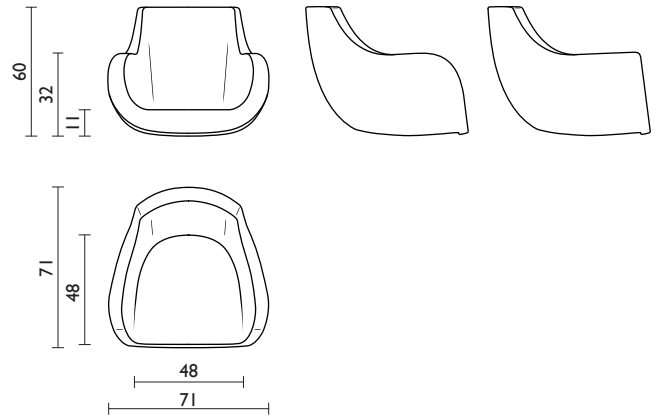
SB-BST-N4G



SB-700-N28  
(fixing with plate)

# BOSTON

## Medium-back armchair



### INFO AND MEASURES

Product code:	FB-BST-MC (rounded arm rest) FB-BST-MS (square arm rest)
Hole centres:	140x140 mm / 180x180 mm
Net weight:	10.5 kg
Required fabric:	200x140 cm

### PADDING

Shell in flexible polyurethane made by casting in resin or aluminum molds.

- Density 60-70 kg/mc
- Fireproof material according to Italian class 1IM regulation
- Alternatively, California Technical Bulletin 117:2013 and English BS 5852-2-1982 on request

### INTERNAL STRUCTURE

Shell: a metal frame is moulded in cold polyurethan foam. The padding has, where necessary, wooden or plastic stripes for stapling the fabric.

### PACKAGING

The product is packed in cardboard boxes

- Box measures: 73x66x81 cm
- Product net weight: 10.5 kg
- Box weight: 4 kg
- Pieces per box: 1
- Gross weight (products+box): 14.5 kg
- Boxes per pallet 80x120: 6 (2.5 m<sup>3</sup>)

### BASES E ACCESSORIES



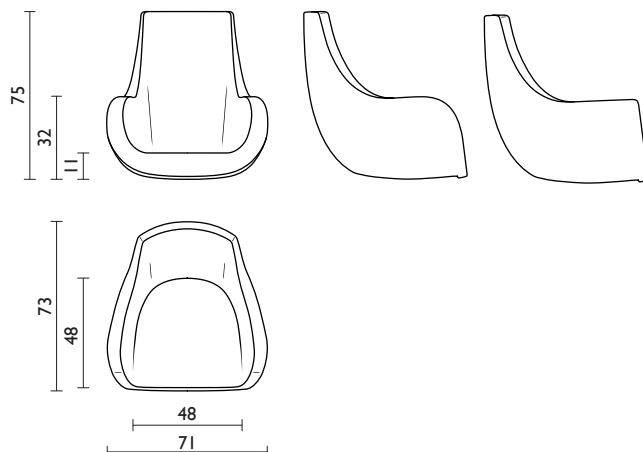
SB-BST-N4G



SB-700-N28  
(fixing with plate)

# BOSTON

## High-back armchair



### INFO AND MEASURES

Product code:	FB-BST-AC (rounded arm rest) FB-BST-AS (square arm rest)
Hole centres:	140x140 mm / 180x180 mm
Net weight:	10.7 kg
Required fabric:	255x140 cm

### PADDING

Shell in flexible polyurethane made by casting in resin or aluminum molds.

- Density 60-70 kg/mc
- Fireproof material according to Italian class 1IM regulation
- Alternatively, California Technical Bulletin 117:2013 and English BS 5852-2-1982 on request

### INTERNAL STRUCTURE

Shell: a metal frame is moulded in cold polyurethan foam. The padding has, where necessary, wooden or plastic stripes for stapling the fabric.

### PACKAGING

The product is packed in cardboard boxes

- Box measures: 73x66x81 cm
- Product net weight: 10.7 kg
- Box weight: 4 kg
- Pieces per box: 1
- Gross weight (products+box): 14.7 kg
- Boxes per pallet 80x120: 6 (2.5 m<sup>3</sup>)

### BASES E ACCESSORIES



SB-BST-N4G



SB-700-N28  
(fixing with plate)