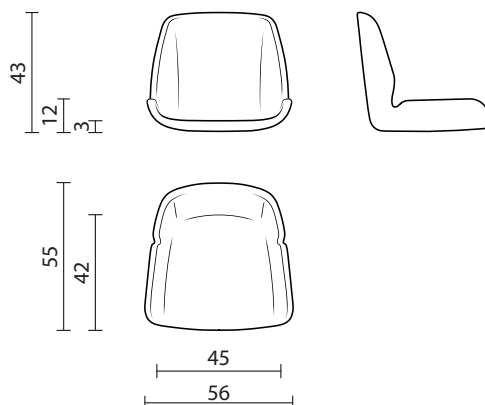


CLARA

Chair



INFO AND MEASURES

Product code:	FB-CLA-000
Hole centres:	140x140 mm
Net weight:	4.5 kg
Required fabric:	120x140 cm

PADDING

Shell in flexible polyurethane made by casting in resin or aluminum molds.

- Density 60-70 kg/mc
- Fireproof material according to Italian class 1IM regulation
- Alternatively, California Technical Bulletin 117:2013 and English BS 5852-2-1982 on request

INTERNAL STRUCTURE

Shell: a metal frame is moulded in cold polyurethane foam. The padding has, where necessary, wooden or plastic stripes for stapling the fabric.

PACKAGING

The product is packed in cardboard boxes

- Box measures: 78x60x55 cm
- Product net weight: 4.5 kg
- Box weight: 2 kg
- Pieces per box: 3
- Gross weight (products+box): 15.5 kg
- Boxes per pallet 80x120: 8 (2.3 m³)

BASES AND ACCESSORIES



SB-TRP-SE0



SB-MAN-000



SB-VEN-N00



SB-SLI-N00



SB-680-N00