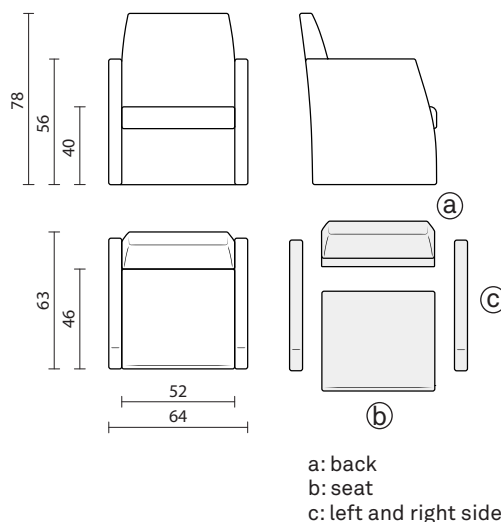


CONTATTO

Armchair



INFO AND MEASURES

Product code:	PL-350-000 (a: FC-350-000) (b: FA-350-000) (c: FD-350-000S / FD-350-000D)
Net weight:	11.8 kg
Required fabric:	255x140 cm

PADDING

Back (a), seat (b), left and right side (c) in flexible polyurethane made by casting in resin or aluminum molds.

- Density 60-70 kg/mc
- Fireproof material according to Italian class 1IM regulation
- Alternatively, California Technical Bulletin 117:2013 and English BS 5852-2-1982 on request

INTERNAL STRUCTURE

Back (a), seat (b), left and right side (c): a metal frame is moulded in cold polyurethane foam.

The padding has, where necessary, wooden or plastic stripes for stapling the fabric.

PACKAGING

The product is packed in cardboard boxes

- (a)
- Box measures: 78x60x55 cm
 - Product net weight: 5 kg
 - Box weight: 2 kg
 - Pieces per box: 4
 - Gross weight (products+box): 22 kg
 - Boxes per pallet 80x120: 8 (2.3 m³)
- (b)
- Box measures: 78x60x55 cm
 - Product net weight: 3.7 kg
 - Box weight: 2 kg
 - Pieces per box: 6
 - Gross weight (products+box): 24.2 kg
 - Boxes per pallet 80x120: 8 (2.3 m³)
- (c)
- Box measures: 78x60x55 cm
 - Product net weight: 3.2 kg
 - Box weight: 2 kg
 - Pieces per box: 7
 - Gross weight (products+box): 24.4 kg
 - Boxes per pallet 80x120: 8 (2.3 m³)

BASES AND ACCESSORIES



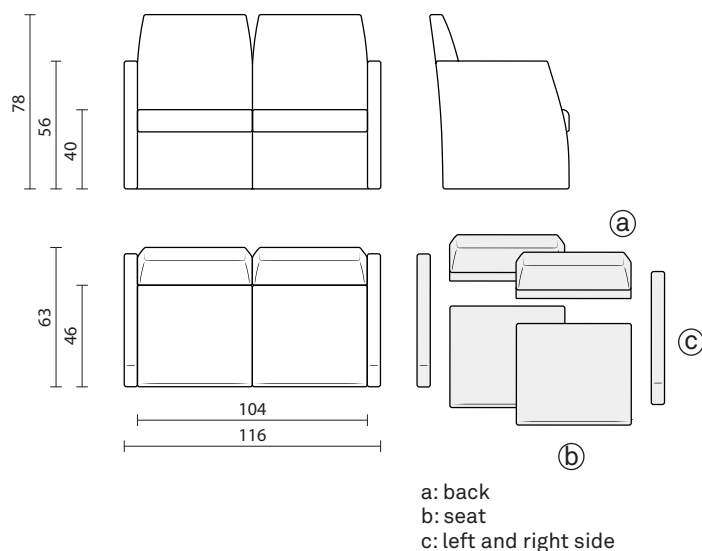
8CPI0104
M10 (x4 pz)



LP9052R15

CONTATTO

Sofa



INFO AND MEASURES

Product code:	D2-350-000 (a: FC-350-000) (b: FA-350-000) (c: FD-350-000S / FD-350-000D)
Net weight:	20.6 kg
Required fabric:	425x140 cm

PADDING

2 backs (a), 2 seats (b), left and right side (c) in flexible polyurethane made by casting in resin or aluminum molds.

- Density 60-70 kg/mc
- Fireproof material according to Italian class 1IM regulation
- Alternatively, California Technical Bulletin 117:2013 and English BS 5852-2-1982 on request

INTERNAL STRUCTURE

Back (a), seat (b), left and right side (c): a metal frame is moulded in cold polyurethane foam.

The padding has, where necessary, wooden or plastic stripes for stapling the fabric.

PACKAGING

The product is packed in cardboard boxes

- (a)
- Box measures: 78x60x55 cm
 - Product net weight: 5 kg
 - Box weight: 2 kg
 - Pieces per box: 4
 - Gross weight (products+box): 20 kg
 - Boxes per pallet 80x120: 8 (2.3 m³)
- (b)
- Box measures: 78x60x55 cm
 - Product net weight: 3.7 kg
 - Box weight: 2 kg
 - Pieces per box: 6
 - Gross weight (products+box): 24.2 kg
 - Boxes per pallet 80x120: 8 (2.3 m³)
- (c)
- Box measures: 78x60x55 cm
 - Product net weight: 3.2 kg
 - Box weight: 2 kg
 - Pieces per box: 7
 - Gross weight (products+box): 24.5 kg
 - Boxes per pallet 80x120: 8 (2.3 m³)

BASES AND ACCESSORIES



8CPI0104
M10 (x4 pz)



LP9052R15