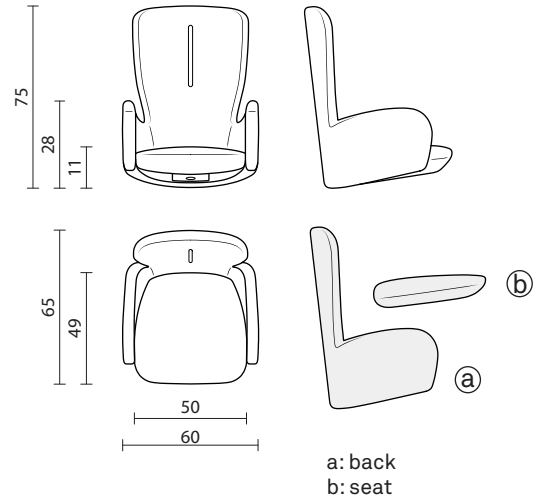


# DOLL

## Armchair



## INFO AND MEASURES

Product code:	FB-DOL-000 (a: FC-DOL-000) (b: FA-DOL-000)
Hole centres:	153x200 mm
Net weight:	11 kg
Required fabric:	200x140 cm

## PADDING

Back (a) and seat (b) in flexible polyurethane made by casting in resin or aluminum molds.

- Density 60-70 kg/mc
- Fireproof material according to Italian class 1IM regulation
- Alternatively, California Technical Bulletin 117:2013 and English BS 5852-2-1982 on request

## INTERNAL STRUCTURE

Back (a): a metal frame is moulded in cold polyurethane foam; the metal frame has a plate to fix the synchron mechanism. The seat (b) has a wood insert with M6 T-nuts to fix the synchron mechanism. The padding has, where necessary, wooden or plastic stripes for stapling the fabric.

## PACKAGING

The product is packed in cardboard boxes

- Box measures: 73x66x81 cm
- Product net weight: 11 kg
- Box weight: 3 kg
- Pieces per box: 1
- Gross weight (products+box): 14 kg
- Boxes per pallet 80x120: 6 (2.5 m<sup>3</sup>)

## BASES AND ACCESSORIES



SB-700-N28



SM3202015