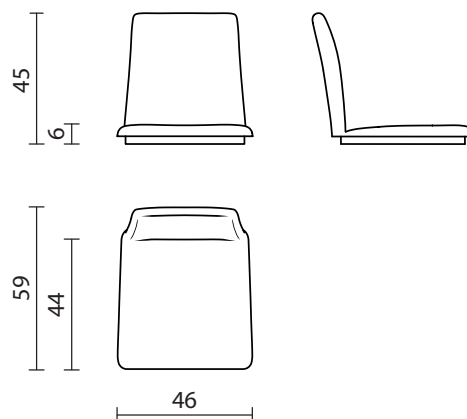


LISA

Wood base chair



INFO AND MEASURES

Product code:	FB-LIN-100
Net weight:	5 kg
Required fabric:	130x140 cm

PADDING

Shell in flexible polyurethane made by casting in resin or aluminum molds.

- Density 60-70 kg/mc
- Fireproof material according to Italian class 1IM regulation
- Alternatively, California Technical Bulletin 117:2013 and English BS 5852-2-1982 on request

INTERNAL STRUCTURE

Shell: a metal frame is moulded in cold polyurethan foam. The padding has, where necessary, wooden or plastic stripes for stapling the fabric.

PACKAGING

The product is packed in cardboard boxes

- Box measures: 78x60x55 cm
- Product net weight: 5 kg
- Box weight: 2 kg
- Pieces per box: 2
- Gross weight (products+box): 12 kg
- Boxes per pallet 80x120: 8 (2.3 m³)

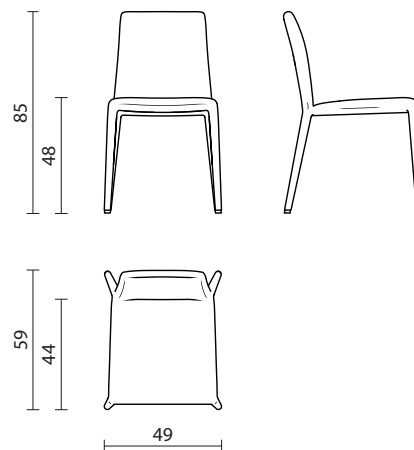
BASES AND ACCESSORIES



TF-LIN-101

LISA

Chair with moulded legs



INFO AND MEASURES

Product code:	SE-LIN-000
Net weight:	5.5 kg
Required fabric:	180x140 cm

INTERNAL STRUCTURE

Shell: a metal frame is moulded in cold polyurethan foam.

PADDING

Shell in flexible polyurethane made by casting in resin or aluminum molds.

- Density 60-70 kg/mc
- Fireproof material according to Italian class 1IM regulation
- Alternatively, California Technical Bulletin 117:2013 and English BS 5852-2-1982 on request

PACKAGING

The product is packed in cardboard boxes

- Box measures: 85x55x103 cm
- Product net weight: 5.5 kg
- Box weight: 3 kg
- Pieces per box: 2
- Gross weight (products+box): 14 kg
- Boxes per pallet 80x120: 8 (2.3 m³)