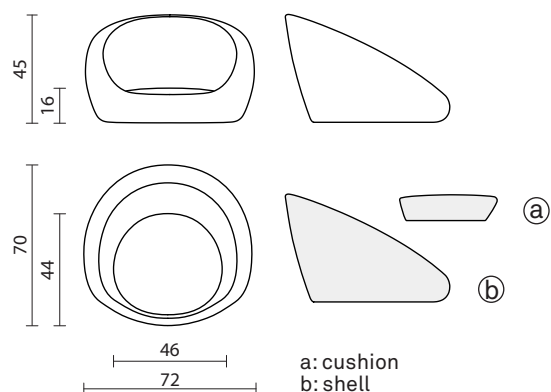


MCLAREN

Closed-back armchair



INFO AND MEASURES

Product code:	FB-190-C00 (a: FA-190-000) (b: FC-190-C00)
Hole centres:	140x140 mm
Net weight:	11.2 kg
Required fabric:	300x140 cm

INTERNAL STRUCTURE

Shell (b): a metal frame is moulded in cold polyurethane foam.

The padding has, where necessary, wooden or plastic stripes for stapling the fabric.

PADDING

Shell (b) in flexible polyurethane made by casting in resin or aluminum molds.

- Density 60-70 kg/mc
- Fireproof material according to Italian class 1IM regulation
- Alternatively, California Technical Bulletin 117:2013 and English BS 5852-2-1982 on request

Cushion (a) made from a rubber block.

PACKAGING

The product is packed in cardboard boxes

- Box measures: 78x60x55 cm
- Product net weight: 11.2 kg
- Box weight: 2 kg
- Pieces per box: 1
- Gross weight (products+box): 13.2 kg
- Boxes per pallet 80x120: 8 (2.3 m³)

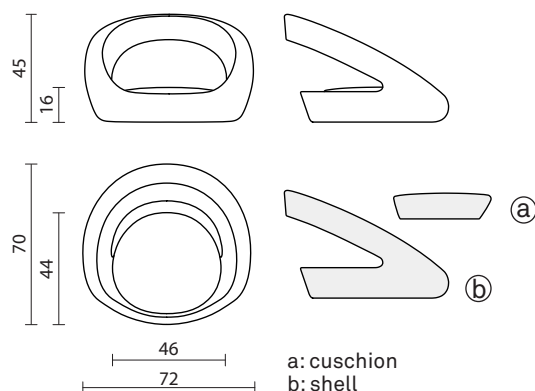
BASES E ACCESSORIES



SB-700-N18
(fixing with plate)

MCLAREN

Open-back armchair



INFO AND MEASURES

Product code:	FB-190-A00 (a: FA-190-000) (b: FC-190-A00)
Hole centres:	140x140 mm
Net weight:	10 kg
Required fabric:	220x140 cm

INTERNAL STRUCTURE

Shell (b): a metal frame is moulded in cold polyurethan foam.

The padding has, where necessary, wooden or plastic stripes for stapling the fabric.

PADDING

Shell (b) in flexible polyurethane made by casting in resin or aluminum molds.

- Density 60-70 kg/mc
- Fireproof material according to Italian class 1IM regulation
- Alternatively, California Technical Bulletin 117:2013 and English BS 5852-2-1982 on request

Cushion (a) made from a rubber block.

PACKAGING

The product is packed in cardboard boxes

- Box measures: 78x60x55 cm
- Product net weight: 10 kg
- Box weight: 2 kg
- Pieces per box: 1
- Gross weight (products+box): 12 kg
- Boxes per pallet 80x120: 8 (2.3 m³)

BASES E ACCESSORIES



SB-700-N18
(fixing with plate)