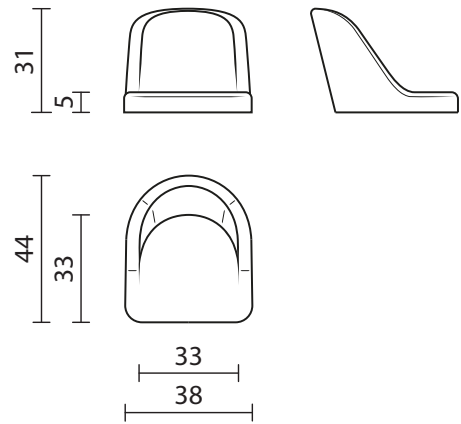


NINA

Little armchair



INFO AND MEASURES

Product code:	FB-NIN-000
Hole centres:	140x140 mm
Net weight:	3 kg
Required fabric:	100x140 cm

PADDING

Shell in flexible polyurethane made by casting in resin or aluminum molds.

- Density 60-70 kg/mc
- Fireproof material according to Italian class 1IM regulation
- Alternatively, California Technical Bulletin 117:2013 and English BS 5852-2-1982 on request

INTERNAL STRUCTURE

Shell: a metal frame is moulded in cold polyurethane foam. The padding has, where necessary, wooden or plastic stripes for stapling the fabric.

PACKAGING

The product is packed in cardboard boxes

- Box measures: 39x39x47 cm
- Product net weight: 3 kg
- Box weight: 2 kg
- Pieces per box: 1
- Gross weight (products+box): 5 kg
- Boxes per pallet 80x120: 18 (2.3 m³)

BASES AND ACCESSORIES



TF-NIN-001



SB-NIN-N00