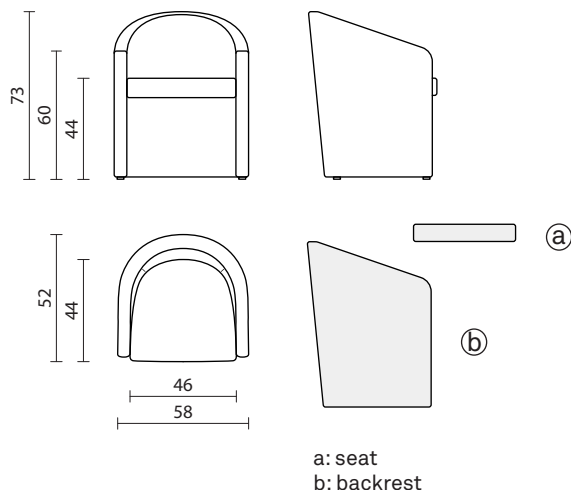


# OMEGA

## Armchair



### INFO AND MEASURES

Product code:	PL-700-000 (a: FA-700-000) (b: FB-700-000)
Net weight:	13 kg
Required fabric:	180x140 cm

### PADDING

Seat (a) and backrest (b) in flexible polyurethane made by casting in resin or aluminum molds.

- Density 60-70 kg/mc
- Fireproof material according to Italian class 1IM regulation
- Alternatively, California Technical Bulletin 117:2013 and English BS 5852-2-1982 on request

### INTERNAL STRUCTURE

Seat (a) and backrest (b): a metal frame is moulded in cold polyurethane foam.

The padding has, where necessary, wooden or plastic stripes for taping the fabric.

### PACKAGING

The product is packed in cardboard boxes

- Box measures: 73x66x81 cm
- Product net weight: 13 kg
- Box weight: 4 kg
- Pieces per box: 1
- Gross weight (products+box): 17 kg
- Boxes per pallet 80x120: 6 (2.5 m<sup>3</sup>)

### BASES E ACCESSORIES



8CPI0101  
M10 (x4 pz)