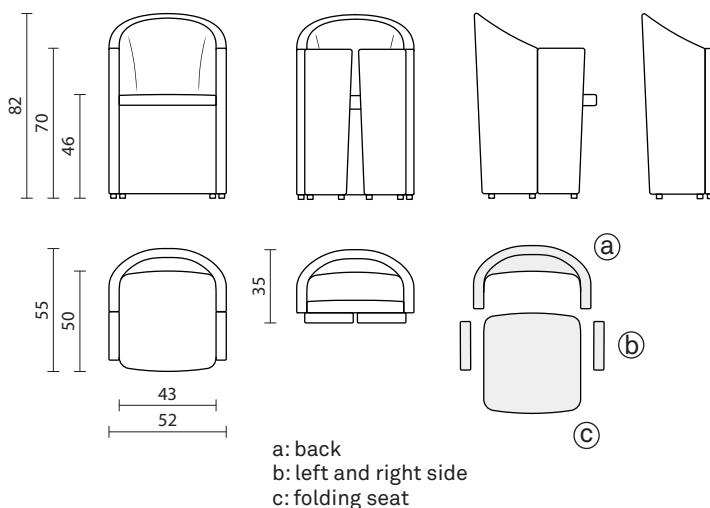


# OYSTER

## Armchair



## INFO AND MEASURES

Product code:	PL-720-000 (a: FB-720-221) (b: FD-720-S00 / FD-720-DTO) (c: FA-720-000)
Net weight:	15 kg
Required fabric:	250x140 cm

## PADDING

Back (a), left and right side (b), seat (c) in flexible polyurethane made by casting in resin or aluminum molds.

- Density 60-70 kg/mc
- Fireproof material according to Italian class 1IM regulation
- Alternatively, California Technical Bulletin 117:2013 and English BS 5852-2-1982 on request

## INTERNAL STRUCTURE

Back (a), left and right side (b), seat (c): a metal frame is moulded in cold polyurethane foam. The padding has, where necessary, wooden or plastic stripes for stapling the fabric.

## PACKAGING

The product is packed in cardboard boxes

- Box measures: 55x36x83 cm
- Product net weight: 15 kg
- Box weight: 2 kg
- Pieces per box: 1
- Gross weight (products+box): 17 kg
- Boxes per pallet 80x120: 4 (1 m<sup>3</sup>)

## BASES AND ACCESSORIES



8CPI0720  
M8 (x6 pz)



LP9052R15



TB720200  
(armchairs hooking system)