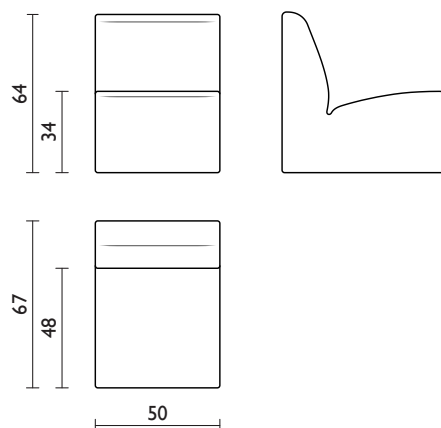


PIPER

Armchair



INFO AND MEASURES

Product code:	PL-1PL-000
Net weight:	8 kg
Required fabric:	200x140 cm

PADDING

Shell in flexible polyurethane made by casting in resin or aluminum molds.

- Density 60-70 kg/mc
- Fireproof material according to Italian class 1IM regulation
- Alternatively, California Technical Bulletin 117:2013 and English BS 5852-2-1982 on request

INTERNAL STRUCTURE

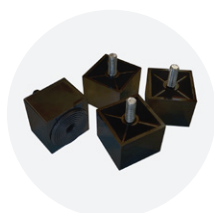
Shell: a metal frame is moulded in cold polyurethan foam. The padding has, where necessary, wooden or plastic stripes for stapling the fabric.

PACKAGING

Products are shipped loose on pallets.

- Products per pallet 80x120: 6
- Net weight (pallet + products): 55 kg

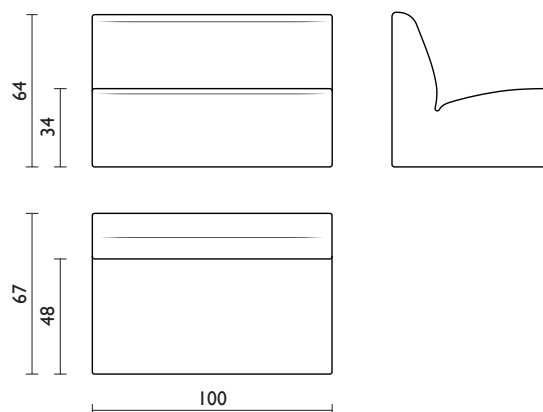
BASES AND ACCESSORIES



8CPI0104/00
M10 (x4 pz)

PIPER

2 seats sofa



INFO AND MEASURES

Product code:	D2-1D2-000
Net weight:	15 kg
Required fabric:	275x140 cm

PADDING

Shell in flexible polyurethane made by casting in resin or aluminum molds.

- Density 60-70 kg/mc
- Fireproof material according to Italian class 1IM regulation
- Alternatively, California Technical Bulletin 117:2013 and English BS 5852-2-1982 on request

INTERNAL STRUCTURE

Shell: a metal frame is moulded in cold polyurethan foam. The padding has, where necessary, wooden or plastic stripes for stapling the fabric.

PACKAGING

Products are shipped loose on pallets.

- Products per pallet 80x120: 6
- Net weight (products+pallet): 67 kg

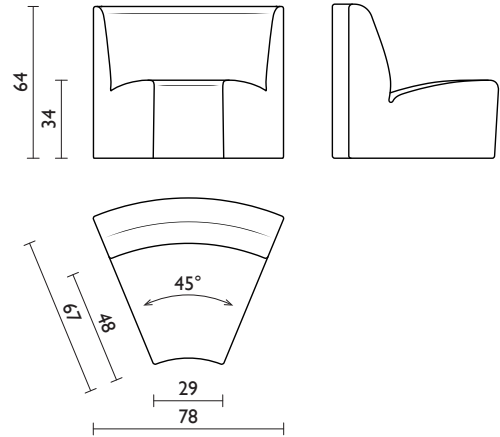
BASES AND ACCESSORIES



8CPI0104/00
M10 (x4 pz)

PIPER

45° angle easy chair



INFO AND MEASURES

Product code:	PL-1A4-000
Net weight:	11 kg
Required fabric:	250x140 cm

PADDING

Shell in flexible polyurethane made by casting in resin or aluminum molds.

- Density 60-70 kg/mc
- Fireproof material according to Italian class 1IM regulation
- Alternatively, California Technical Bulletin 117:2013 and English BS 5852-2-1982 on request

INTERNAL STRUCTURE

Shell: a metal frame is moulded in cold polyurethan foam. The padding has, where necessary, wooden or plastic stripes for stapling the fabric.

PACKAGING

Products are shipped loose on pallets.

- Products per pallet 80x120: 6
- Net weight (pallet + products): 29 kg

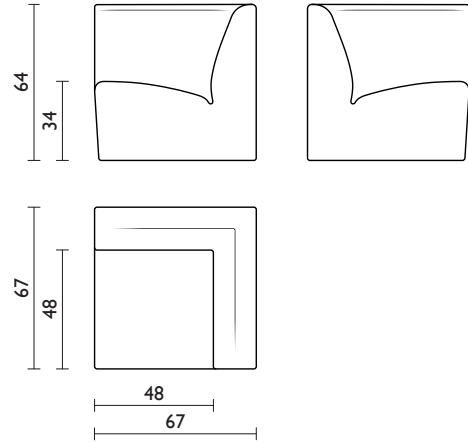
BASES AND ACCESSORIES



8CPI0104/00
M10 (x4 pz)

PIPER

Right angle easy chair



INFO AND MEASURES

Product code:	PL-1AR-000
Net weight:	13 kg
Required fabric:	260x140 cm

PADDING

Shell in flexible polyurethane made by casting in resin or aluminum molds.

- Density 60-70 kg/mc
- Fireproof material according to Italian class 1IM regulation
- Alternatively, California Technical Bulletin 117:2013 and English BS 5852-2-1982 on request

INTERNAL STRUCTURE

Shell: a metal frame is moulded in cold polyurethane foam. The padding has, where necessary, wooden or plastic stripes for stapling the fabric.

PACKAGING

Products are shipped loose on pallets.

- Products per pallet 80x120: 6
- Net weight (pallet + products): 33 kg

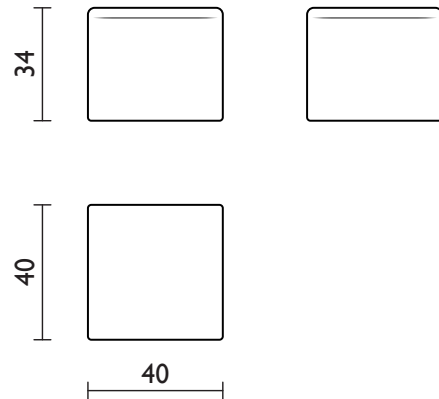
BASES AND ACCESSORIES



8CPI0104/00
M10 (x4 pz)

PIPER

Pouf



INFO AND MEASURES

Product code:	PL-1PF-000
Net weight:	4.7 kg
Required fabric:	85x140 cm

PADDING

Shell in flexible polyurethane made by casting in resin or aluminum molds.

- Density 60-70 kg/mc
- Fireproof material according to Italian class 1IM regulation
- Alternatively, California Technical Bulletin 117:2013 and English BS 5852-2-1982 on request

INTERNAL STRUCTURE

Shell: a metal frame is moulded in cold polyurethan foam. The padding has, where necessary, wooden or plastic stripes for stapling the fabric.

PACKAGING

Products are shipped loose on pallets.

- Products per pallet 80x120: 24
- Net weight (pallet + products): 120 kg