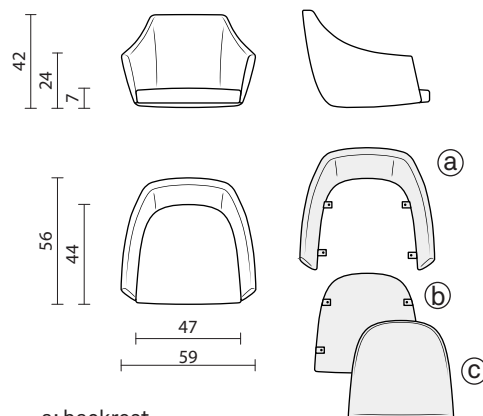


# RAFFA

## Little armchair



a: backrest  
b: seat wood  
c: cut rubber seat

## INFO AND MEASURES

Product code: FB-RAFFA-100  
(a: FB-RAFFA-000)  
(b: TF-RAFFA)  
(c: DF-RAFFA)

Hole centres: 140x140 mm

Net weight: 4.5 kg

Required fabric: 170x140 cm

## INTERNAL STRUCTURE

Backrest (b): a metal frame is moulded in cold polyurethane foam.

The seat has a wood insert (b) with M6 T-nuts.

The padding has, where necessary, wooden or plastic stripes for stapling the fabric.

Added on request a zig-zag spring inside the back for more comfort.

## PADDING

Backrest (a) in flexible polyurethane made by casting in resin or aluminum molds.

- Density 60-70 kg/mc
- Fireproof material according to Italian class 1IM regulation
- Alternatively, California Technical Bulletin 117:2013 and English BS 5852-2-1982 on request

Seat (c) made from a rubber block.

## PACKAGING

The product is packed in cardboard boxes

- Box measures: 78x60x55 cm
- Product net weight: 4.5 kg
- Box weight: 2 kg
- Pieces per box: 3
- Gross weight (products+box): 15.5 kg
- Boxes per pallet 80x120: 8 (2.3 m<sup>3</sup>)

## BASES E ACCESSORIES



SB-TRP-SE0



TF-BNN01



SB-VEN-N00



SB-SLI-N00



SB-680-N00