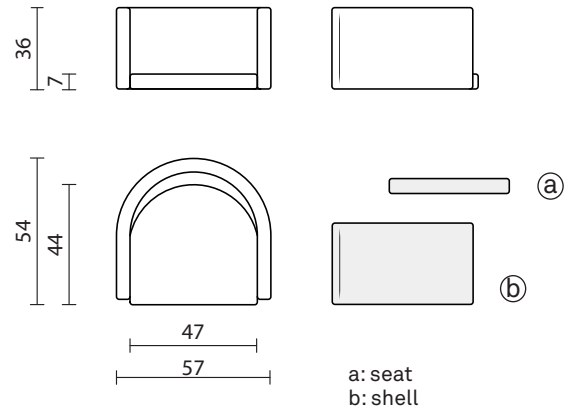


ROSY

Little armchair



INFO AND MEASURES

Product code:	FB-740-000 (a: FA-740-000) (b: FC-740-000)
Net weight:	8.5 kg
Required fabric:	130x140 cm

PADDING

Shell (b) and seat (a) in flexible polyurethane made by casting in resin or aluminum molds.

- Density 60-70 kg/mc
- Fireproof material according to Italian class 1IM regulation
- Alternatively, California Technical Bulletin 117:2013 and English BS 5852-2-1982 on request

INTERNAL STRUCTURE

Shell (b) and seat (a): a metal frame is moulded in cold polyurethane foam.

The padding has, where necessary, wooden or plastic stripes for stapling the fabric.

PACKAGING

The product is packed in cardboard boxes

- Box measures: 78x60x55 cm
- Product net weight: 8.5 kg
- Box weight: 2 kg
- Pieces per box: 1
- Gross weight (products+box): 10.5 kg
- Boxes per pallet 80x120: 8 (2.3 m³)

BASES E ACCESSORIES



SB-742-N00