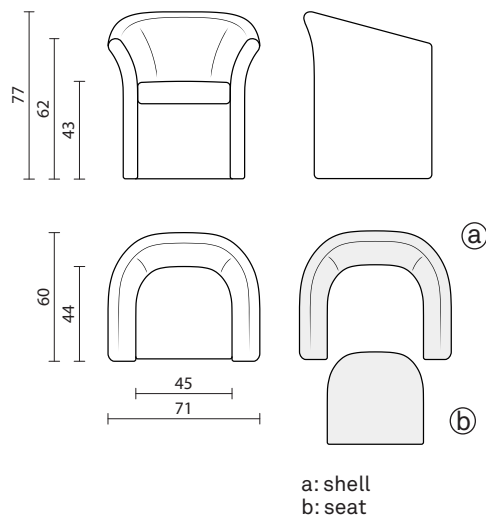


# SOFT

## Armchair



### INFO AND MEASURES

Product code:	PL-800-000 (a: FB-800-000) (b: FA-800-000)
Net weight:	14.5 kg
Required fabric:	300x140 cm

### INTERNAL STRUCTURE

Shell (a) and seat (b): a metal frame is moulded in cold polyurethane foam.  
The padding has, where necessary, wooden or plastic stripes for taping the fabric.

### PADDING

Shell (a) and seat (b) in flexible polyurethane made by casting in resin or aluminum molds.

- Density 60-70 kg/mc
- Fireproof material according to Italian class 1IM regulation
- Alternatively, California Technical Bulletin 117:2013 and English BS 5852-2-1982 on request

### PACKAGING

The product is packed in cardboard boxes

- Box measures: 73x66x81 cm
- Product net weight: 14.5 kg
- Box weight: 4 kg
- Pieces per box: 1
- Gross weight (products+box): 18.5 kg
- Boxes per pallet 80x120: 6 (2.5 m<sup>3</sup>)

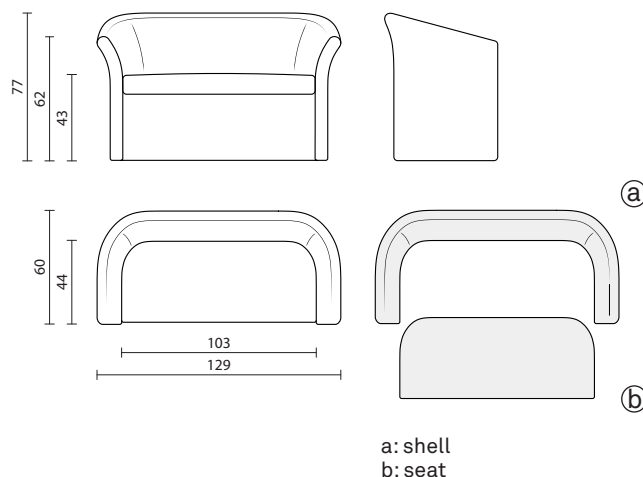
### BASES E ACCESSORIES



8CPI0101  
M10 (x4 pz)

# SOFT

## 2 seats sofa



### INFO AND MEASURES

Product code:	D2-800-000 (a: FB-800-001) (b: FB-800-001)
Net weight:	18 kg
Required fabric:	500x140 cm

### PADDING

Shell (a) and seat (b) in flexible polyurethane made by casting in resin or aluminum molds.

- Density 60-70 kg/mc
- Fireproof material according to Italian class 1IM regulation
- Alternatively, California Technical Bulletin 117:2013 and English BS 5852-2-1982 on request

### INTERNAL STRUCTURE

Seat (a) and backrest (b): a metal frame is moulded in cold polyurethane foam.

The padding has, where necessary, wooden or plastic stripes for taping the fabric.

### PACKAGING

The product is packed in cardboard boxes

- Box measures: 133x63x78 cm
- Product net weight: 18 kg
- Box weight: 4 kg
- Pieces per box: 1
- Gross weight (products+box): 22 kg
- Boxes per pallet 80x120: 3 (2.4 m<sup>3</sup>)

### BASES E ACCESSORIES



8CPI0101  
M10 (x4 pz)