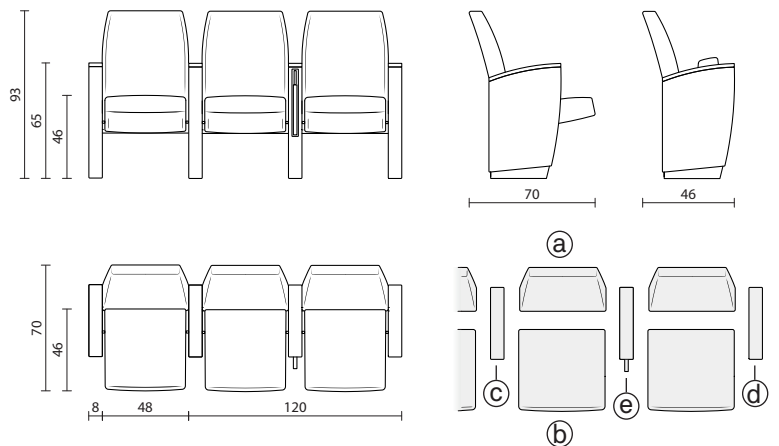


XEN

Cinema/auditorium armchair



- a: backrest
b: folding seat
c: side panel
d: and of row side panel
e: folding tablet side panel

INFO AND MEASURES

Product code:	a-b-c: PL-C90-000 d: FD-C90-100 e: FD-C90-10T
Net weight:	22 kg
Required fabric:	a-b-c: 200x140 cm d: 80x140 cm e: 80x140 cm

* minimal mounting curvature R 400 cm

INTERNAL STRUCTURE

Backrest (a), folding seat (b), side panel (c), and of row side panel (d), folding tablet side panel (e): a metal frame is moulded in cold polyurethane foam.

The padding has, where necessary, wooden or plastic stripes for stapling the fabric.

PADDING

Backrest (a) and folding seat (b) in flexible polyurethane made by casting in resin or aluminum molds.

- Density 60-70 kg/mc
- Fireproof material according to Italian class 1IM regulation
- Alternatively, California Technical Bulletin 117:2013 and English BS 5852-2-1982 on request

PACKAGING

The product is packed in cardboard boxes

Ⓐ Ⓑ Ⓒ

- Box measures: 78x60x55 cm
- Product net weight: 22 kg
- Box weight: 2 kg
- Pieces per box: 1
- Gross weight (products+box): 24 kg
- Boxes per pallet 80x120: 8 (2.3 m³)

Ⓓ Ⓔ

Added to the product a, b and c (in addition 8,5 kg each one)