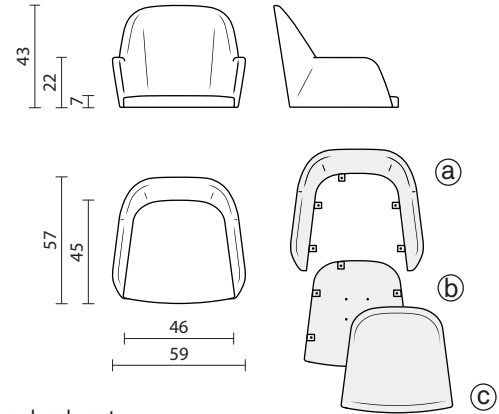


DELTA

Little armchair



a: backrest
b: seat wood
c: cut rubber seat

INFO AND MEASURES

Product code:	FB-DEL-B00 (a: FC-DEL-B00) (b: TF-FADEL) (c: DF-DELTA)
Hole centres:	140x140 mm
Net weight:	4.8 kg
Required fabric:	150x140 cm

INTERNAL STRUCTURE

Backrest (b): a metal frame is moulded in cold polyurethane foam.

The seat (c) has a wood insert (b) with M10 T-nuts to fix it to the backrest and the base.

The padding has, where necessary, wooden or plastic stripes for stapling the fabric.

PADDING

Backrest (a) in flexible polyurethane made by casting in resin or aluminum molds.

- Density 60-70 kg/mc
- Fireproof material according to Italian class 1IM regulation
- Alternatively, California Technical Bulletin 117:2013 and English BS 5852-2-1982 on request

Seat (c) made from a rubber block.

PACKAGING

The product is packed in cardboard boxes

- Box measures: 78x60x55 cm
- Product net weight: 4.8 kg
- Box weight: 2 kg
- Pieces per box: 3
- Gross weight (products+box): 16.4 kg
- Boxes per pallet 80x120: 8 (2.3 m³)

BASES E ACCESSORIES



SB-TRP-SE0



TF-DEL01



SB-VEN-N00



SB-SLI-N00



SB-680-N00