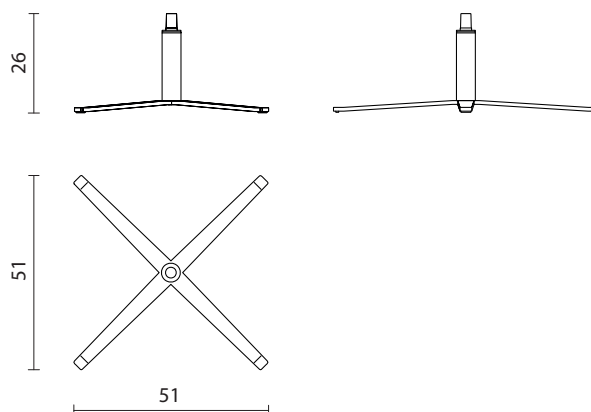


SB-700-N18

Armchair swivel base



INFO AND MEASURES

Product code: SB-700-N18

Net weight: 5 kg

COMPATIBILITY



Doland

STRUCTURE

4-star metal base, thickness 10 mm, painted black.
Ø 50 mm metal column, high 180 mm, painted black.
Conic join for fixing the seat.

PACKAGING

The product is packed in cardboard boxes

- Box measures: 64x59x44 cm
- Product net weight: 5 kg
- Box weight: 2 kg
- Pieces per box: 5
- Gross weight (products+box): 27 kg
- Boxes per pallet 80x120: 8 (2.3 m³)
- Boxes per pallet 110x120: 20 (3.2 m³)