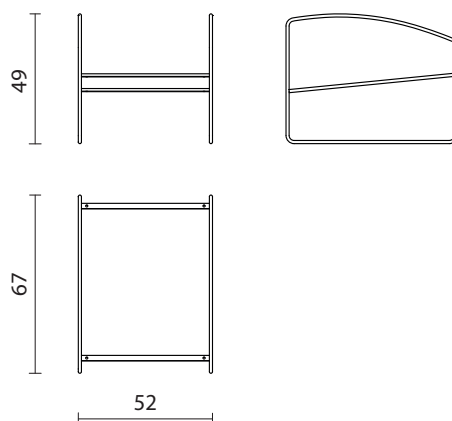


SB-PUP-1NE

Armchair base



INFO AND MEASURES

Product code:	SB-PUP-1NE
Hole centres:	45.5x57.5 cm
Net weight:	5 kg

COMPATIBILITY



Piper

STRUCTURE

Frame in metal rod, \varnothing 12 mm, painted black.
2 metal bars, thickness 10 mm, painted black, with \varnothing 8 mm holes for fixing the seat.

PACKAGING

Products are shipped loose on pallets.